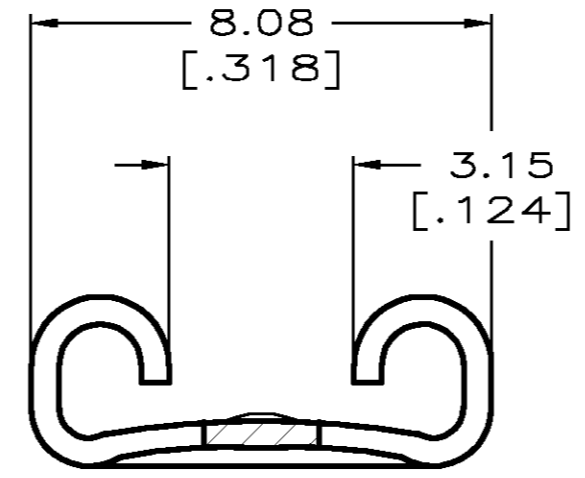
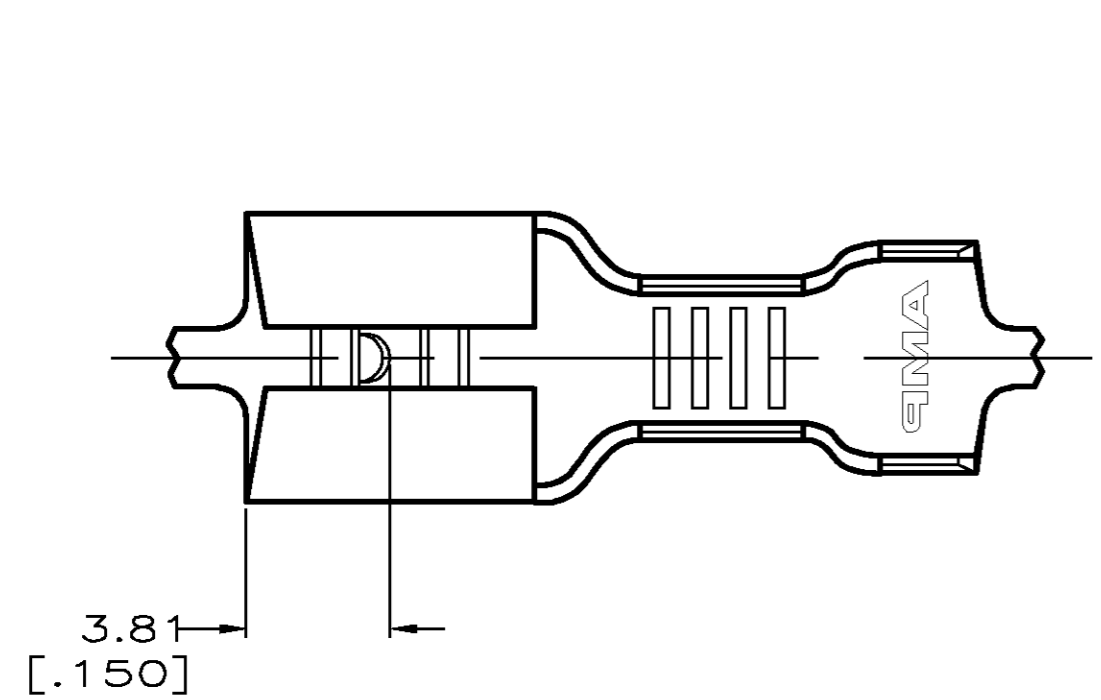


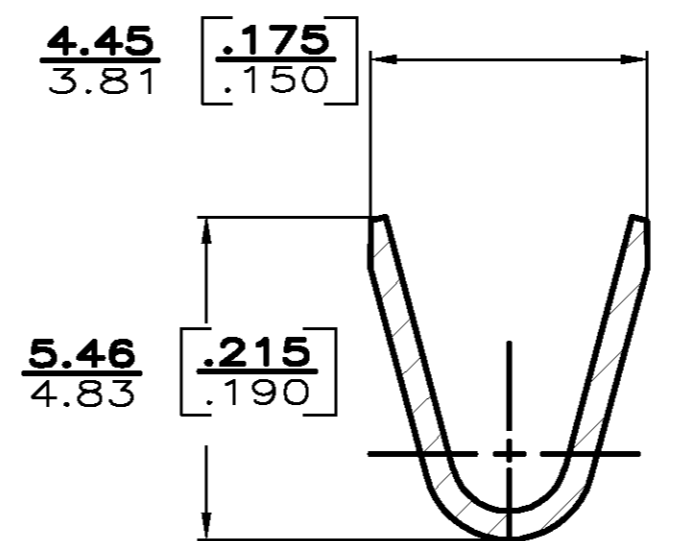
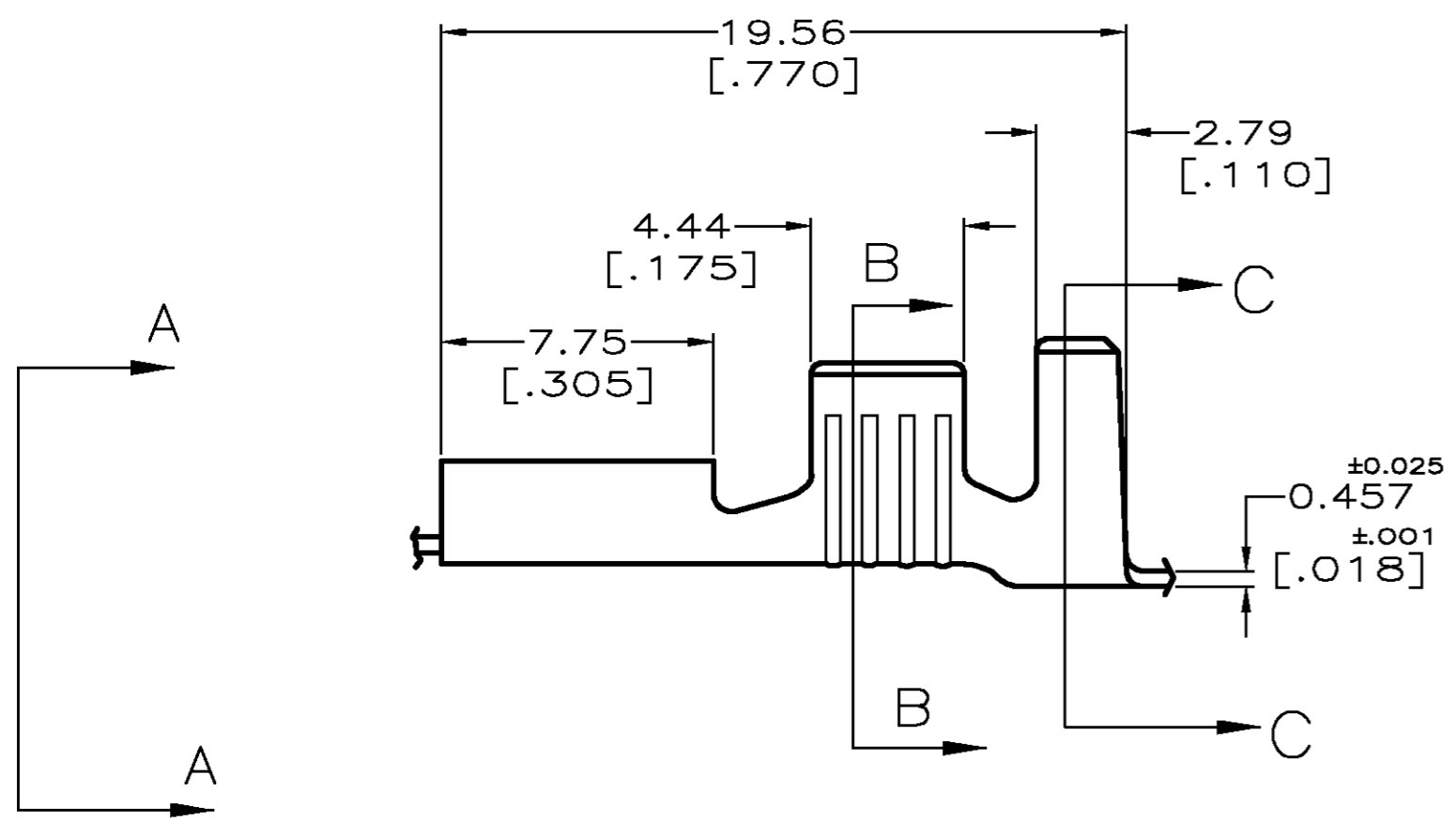
THIS DRAWING IS UNPUBLISHED. RELEASED FOR PUBLICATION
 © COPYRIGHT BY TYCO ELECTRONICS CORPORATION. ALL RIGHTS RESERVED.

LOC	DIST	REVISIONS			
P	LTR	DESCRIPTION	DATE	DWN	APVD
AF	50	AC	REV PER 0G3A-0729-02	10DEC02	JR PD

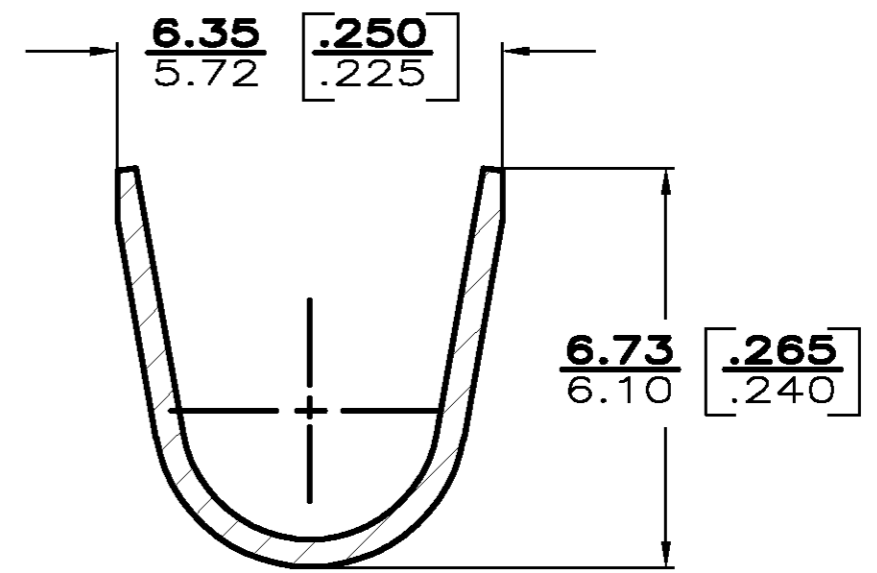


VIEW A-A
SCALE 10:1

- 1 CONTINUOUS STRIP ON REELS
- △ MAX FIRST INSERTION FORCE, 88.96 NEWTON [20 LBS] USING GAGE 100505.
- 3 WIRE SIZE IS #14-10 AWG
- 4 INSULATION RANGE IS 3.81-5.08 [0.150-.200] DIA
- 5 MATING TAB THK IS 0.81±0.025 [0.032±0.001]
- △ FOREIGN PRODUCTION ONLY



SECTION B-B
SCALE 8:1



SECTION C-C
SCALE 8:1

△	SILVER	TEMP3 PHOS BRZ	△	42437-6
	TIN	TEMP3 PHOS BRZ	△	42437-5
OBSOLETE		TEMP3 PHOS BRZ	△	42437-4
OBSOLETE	SILVER	TEMP4 BRASS		42437-3
	TIN	TEMPER 4M BRASS		42437-2
OBSOLETE		TEMP4 BRASS		42437-1
	FINISH	MATERIAL		PART NO.

F	5.33 [0.210]	6.4 [0.252]	F	3.30 [0.130]	2.108 [0.083]	2.0 [0.078]
					2.413 [0.095]	3.0 [0.118]
					2.921 [0.115]	5.0 [0.197]
TYPE	WIDTH	STRIP LENGTH ±0.38 ±0.015	TYPE	WIDTH	±0.051 [0.002]	WIRE HEIGHT
INSUL BARREL CRIMP			WIRE BARREL CRIMP			

THIS DRAWING IS A CONTROLLED DOCUMENT.

DIMENSIONS: INCHES	TOLERANCES UNLESS OTHERWISE SPECIFIED:	DWN JR RUTH 7/10/89	Tyco Electronics Corporation Harrisburg, PA 17105			
	0 PLC ± -	GJK MS FEHER 7/10/89				
	1 PLC ± -	APVD C MEYERS 7/10/89				
	2 PLC ± -	NAME				
	3 PLC ± 0.38 [0.015]	PRODUCT SPEC				
4 PLC ± -	APPLICATION SPEC	SIZE	CAGE CODE	DRAWING NO	RESTRICTED TO	
ANGLES ± -	FINISH	WEIGHT	A2	00779	C-42437	-
MATERIAL SEE TABLE	SEE TABLE	CUSTOMER DRAWING	SCALE 5:1	SHEET 1 OF 1	REV AC	